



Type P200

Pneumatic-to-Current P/I Transducer

Reliable, user-oriented performance



ControlAir's P200 P/I transducer represents outstanding value in pneumatic to current technology. All solid state circuitry converts standard 3-15 psig instrument air into 4-20 mA output with uncompromising accuracy and durability.

The P200 is a self-contained unit with an explosion proof housing and is designed to stand up to the most hazardous and demanding applications.

The P200 is FM approved and CSA (option) certified as NEMA 4 (Enc. 4) for all locations and explosion-proof for Class I, Div. 1, Groups A, B, C, D; dust ignition-proof for Class II, Div. 1, Groups E, F, G; and suitable for Class III, Div. 1 locations.

Features

- $\pm 0.10\%$ Accuracy
- Explosion proof housing
- Quick response time



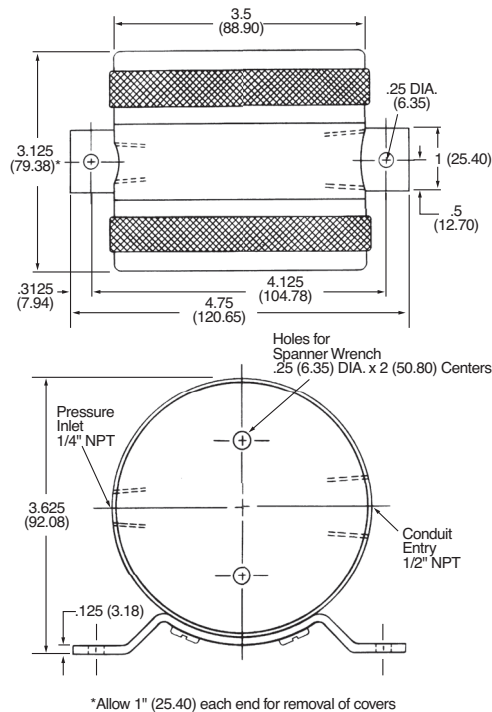
Specifications

	P200	
Inputs	Instrument Air:	3-15 psig (0.2-1.0 bar)
Maximum Input	3 times full scale without recalibration / 4 times full scale without failure	
Outputs	P200, 2 wire: 4-20 mA with over-current limit	
Allowable Loads(24 VDC Power)	700 Ω	
Accuracy	$\pm 0.15\%$ of span guaranteed; $\pm 0.10\%$ of span typical. Includes combined effects of linearity, hysteresis and repeatability errors	
Hysteresis	Negligible	
Repeatability	$\pm 0.10\%$ of span max; $\pm 0.03\%$ of span typical	
Resolution	Infinite	
Output Ripple	None	
Response Time	10 m Sec to 99% of step change	
Temperature Stability	Span and Zero: $\pm 0.007\%$ of span per $^{\circ}\text{F}$ maximum deviation from 77°F calibration	
Power Supply Stability	Less than 0.005% of span change in output per volt change at the input terminals	
Power Supply	10 VDC min. to 42 VDC max. at input terminals. Can indefinitely withstand up to 100 VDC without failure	
RFI/EMI Effect	Meets or exceeds SAMA PMC 33.1, 1978, 2-abc: 0.1% of span at 10 volts/meter	
Operating Temperature Range	-40°F to 161°F (-40°C to 72°C)	
Storage Temperature Range	-60°F to 161°F (-51°C to 72°C)	
Calibration Adjustments	Multiturn span and zero potentiometers with approximately $\pm 20\%$ of span adjustment range	
Mounting Position Effect	None	
In-process Output Monitoring	Current:	For accurate reading, ampmeter must have less than $20\ \Omega$ input resistance on 4-20 mA output (0.40 VDC drop)
Connections	Signal Air:	1/4" NPT female
	Electrical Wiring:	1/2" NPT female to barrier terminal strip up to 14 AWG

Type P200

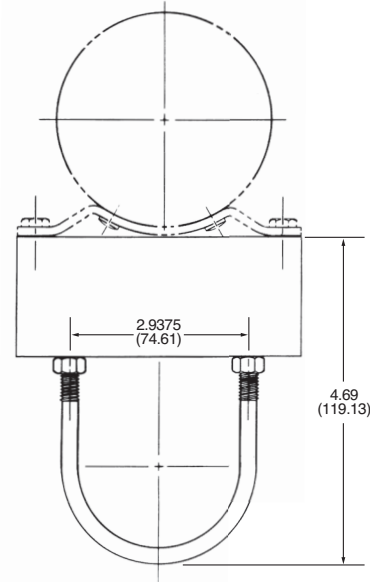
Dimensions

P200



P200 2" Pipe, "U" Bolt Mounting

Kit # 748-542-010



Ordering

Part Number	Description
P200	P/I Device, 2-wire, FM explosion-proof, CSA (option), 4-20 mA

Input Ranges - P200

P/N	Standard Input Ranges
P11	3-15 psig (0.2-1.0 bar)
P13	6-30 psig (0.4-2.0 bar)

Options - P200

P/N	Custom Input Ranges (psig) Specify Range
P51	0-6.0 to 0-18.0 (0.4-1.2 bar)

P/N	Description
P21	Lightening Surge Protector
P23	Extra 316 SS Tag
P28	CSA Intrinsically Safe
P29	CSA Explosion-proof

Part Number = Model + Input Range + Options

Example: P200 + P11 + P21

Approvals



The P200 has been approved by Factory Mutual and the Canadian Standards Association as NEMA 4 (Enc. 4) for all locations and explosion-proof for Class I, Div. 1, Groups A, B, C, D; dust ignition-proof for Class II, Div. 1, Groups E, F, G; and suitable for Class III, Div. 1 locations. CSA intrinsic safety approvals for Class I, Div. 1, Groups A, B, C, D. Contact ControlAir for further details.

Warranty ControlAir LLC products are warranted to be free from defects in materials and workmanship for a period of eighteen months from the date of sale, provided said products are used according to ControlAir LLC recommended usages. ControlAir LLC's liability is limited to the repair, purchase price refund, or replacement in kind, at ControlAir LLC's sole option, of any products proved defective. ControlAir LLC reserves the right to discontinue manufacture of any products or change products materials, designs or specifications without notice. Note: ControlAir does not assume responsibility for the selection, use, or maintenance of any product. Responsibility for the proper selection, use, and maintenance of any ControlAir product remains solely with the purchaser and end user. Drawing downloads available at www.controlair.com



8 Columbia Drive / Amherst, NH 03031 USA / www.controlair.com / sales@controlair.com / 603-886-9400 / FAX 603-889-1844

An ISO 9001:2015 Registered Company

P/N 441-625-048 3/7/24