



# Type 850/860/870

Type 850 Miniature Air Pressure Regulator

Type 860 Miniature Water Pressure Regulator

Type 870 Miniature Potable Water Pressure Regulator

The ControlAir Type 850/860/870 Series are compact units that provide economical, high performance pressure regulation of compressed air (Type 850), water (Type 860) or drinkable water (Type 870). Designed specifically for the OEM market, these units are ideal for compressed air or water pressure control applications. The highly sensitive diaphragm-operated design delivers accurate downstream pressure by eliminating the problems caused by sticking in piston designs utilized by competitors. A molded rubber supply valve provides accurate regulation and helps prevent leakage.

The Type 850/860 is recommended for use in any industrial application that requires water or air pressure regulation and low cost. The Type 870 is designed for use in potable water systems. Materials in contact with water are approved by National Sanitation Foundation (NSF) or the Food and Drug Administration (FDA) for use in potable water systems. Elastomers in the Type 870 are food grade.

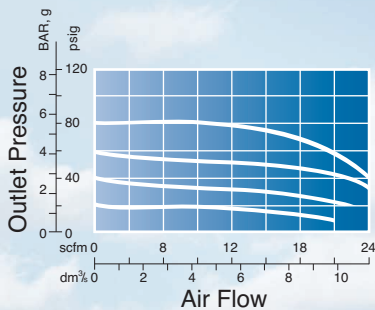
## Features

- Easy and Accurate Adjustment
- Relieving and Non-relieving Models
- 1/8" and 1/4" NPT and BSP Porting
- Compact & Lightweight
- Low Cost



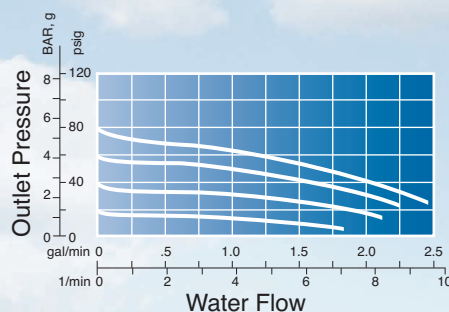
### Type 850

1/4" NPT Port, 0-100 psig Range, 100 psig Supply;  
Flows for Outputs of 20, 40, 60, & 80 psig



### Type 860 / Type 870

1/4" NPT Port, 0-100 psig Range, 100 psig Supply;  
Flows for Outputs of 20, 40, 60, & 80 psig



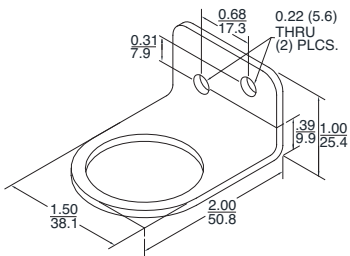
# Type 850/860/870 Miniature Air and Water Pressure Regulators

## Specifications

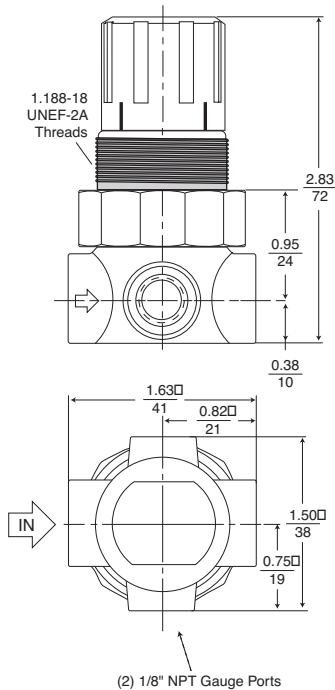
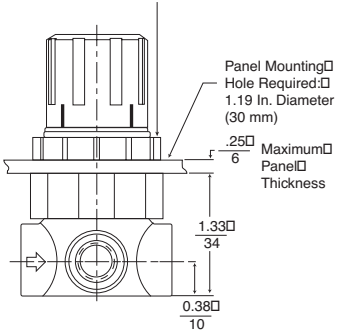
Type/Media	850: Compressed Air	860: Compressed Air or Water	870: Food Grade Potable Water Regulator
<b>Flow Capacity</b>	24 scfm (679 NI/min) at 100 psig (6.9 BAR) supply, 60 psig (4.1 BAR) output	2.2 gal/min.	
<b>Relief Capacity</b>	0.5 scfm (14 NI/min) Downstream pressure 10 psig (0.7 BAR) above setpoint	N/A	
<b>Maximum Supply Pressure</b>	250 psig (17.2 BAR)	150 psig (10.0 BAR)	
<b>Air Consumption</b>	Less than 6 scfh (0.17 m3/hr)	N/A	
<b>Operating Temperature</b>	0°F to 150°F (-18°C to 60°C)		
<b>Porting</b>	Inlet and outlet-1/8" or 1/4" NPT/BSP Gauge (2) - 1/8" NPT/BSP		
<b>Output Ranges</b>	0-5 psig (0-0.4 BAR) 0-15 psig (0-1.0 BAR) 0-30 psig (0-2.1 BAR)	0-60 psig (0-4.1 BAR) 0-100 psig (0-6.9 BAR)	
<b>Materials</b> Body: Bonnet, Valve Seat: Diaphragm, O-ring: Valve Plug:	Epoxy Coated Zinc Acetal Nitrile/Nylon Brass/Nitrile	Electroless Nickel Plated Zinc Acetal Nitrile/Nylon Brass/Nitrile	NSF Electrodeposited Chromium Plated Zinc FDA Acetal Food Grade Nitrile/Nylon Lead-free Brass and Food Grade Nitrile
<b>Weight</b>	4.0 oz. (113 g)		

## Dimensional Drawings

### Optional Mounting Bracket P/N 446-707-100

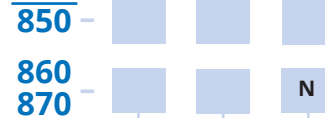


### Optional Panel Nut P/N 442-734-040



## Ordering Use this coding system to order

### Model



### Port Size

- A 1/8" NPT
- B 1/4" NPT
- C 1/8" BSP
- D 1/4" BSP

Output	psig	BAR
E	0-5	0-0.4
A	0-15	0-1.0
B	0-30	0-2.1
C	0-60	0-4.1
D	0-100	0-6.9

### Options

- N **Non-Relieving**  
For constant flow or downstream pressure relief applications

**Note:** Standard feature on Type 860 and 870 units

## Accessories

Mounting Bracket:	P/N 446-707-100	Panel Nut:	P/N 442-734-040
Gauge: 0-15 psi	P/N 446-725-005	Gauge: 0-30 psi	P/N 446-725-006
Gauge: 0-60 psi	P/N 446-725-007	Gauge: 0-160 psi	P/N 446-725-008

**Warranty** ControlAir LLC products are warranted to be free from defects in materials and workmanship for a period of eighteen months from the date of sale, provided said products are used according to ControlAir LLC recommended usages. ControlAir LLC's liability is limited to the repair, purchase price refund, or replacement in kind, at ControlAir LLC's sole option, of any products proved defective. ControlAir LLC reserves the right to discontinue manufacture of any products or change products materials, designs or specifications without notice. Note: ControlAir does not assume responsibility for the selection, use, or maintenance of any product. Responsibility for the proper selection, use, and maintenance of any ControlAir product remains solely with the purchaser and end user. Drawing downloads available at [www.controlair.com](http://www.controlair.com)



8 Columbia Drive / Amherst, NH 03031 USA / [www.controlair.com](http://www.controlair.com) / [sales@controlair.com](mailto:sales@controlair.com) / 603-886-9400 / FAX 603-889-1844

An ISO 9001:2015 Registered Company

P/N 441-625-021 10/1/20