

KYTOLA® Model HT Variable Area Flow Meter is an industrial flow meter.

Model HT comes with an injection molded impact resistant flow tube with threaded or socket type connections.

It is a reliable instrument for measuring and monitoring water and air flows.



- For water or air
- Good corrosion resistance
- Threaded or socket type connections
- Flow rate water up to 100 USGPM (375 L/min)
- Flow rate air up to 550 SCFM (14,000 L/min)

ISO 9001 ISO 14001

## FLOW METER HT

### FEATURES

- Low cost
- Large variety of flow ranges

### TYPICAL APPLICATIONS

- Process industry
- Chemical industry
- Water treatment plants
- Flow measurement in PVC piping
- General water and air measurement

### OPTIONS

- Viton® or EPDM seals
- Low and high flow alarm

Model	HT	
Connection size	NPT/G 1¼" or 1.97" (50 mm) socket	
Weight	35 oz (980 g)	
Max. pressure	145 psi at 68°F (10 bar at 20°C)	
Max. temperature	167°F at 29 psi (50°C at 2 bar)	
Flow tube	Grilamid (PA-12) or PES	
Connectors	PVC	
Float	AISI 329 or AISI 329/PTFE (depending on range) Note! Other possible wetted metal parts: AISI 316	
Seals	Nitrile (*Viton®, EPDM)	
Accuracy	±5% F.S. (H <sub>2</sub> O 70°F/20°C)	*) on request

H ■ T - ■ - ■

### Connections

Without PVC connectors	<i>blank</i>
Socket type connections, 1.79" (50 mm)	<b>H</b>
NPT 1¼" threads	<b>N</b>
G 1¼" threads	<b>R</b>

Flow Range	H <sub>2</sub> O	Flow Range	Air	
USGPM	L/min	SCFM	NL/min	
3 – 14	10 – 50	15 – 75	400 – 2000	<b>4E</b>
2 – 28	10 – 105	10 – 115	400 – 3000	<b>4A</b>
2.5 – 40	10 – 160	10 – 160	400 – 4400	<b>4F</b>
7.5 – 50	30 – 200	40 – 240	1000 – 6000	<b>4B</b>
10 – 80	30 – 300	40 – 320	1000 – 8500	<b>4C</b>
15 – 100	75 – 375	75 – 550	2000 – 14000	<b>4D</b>

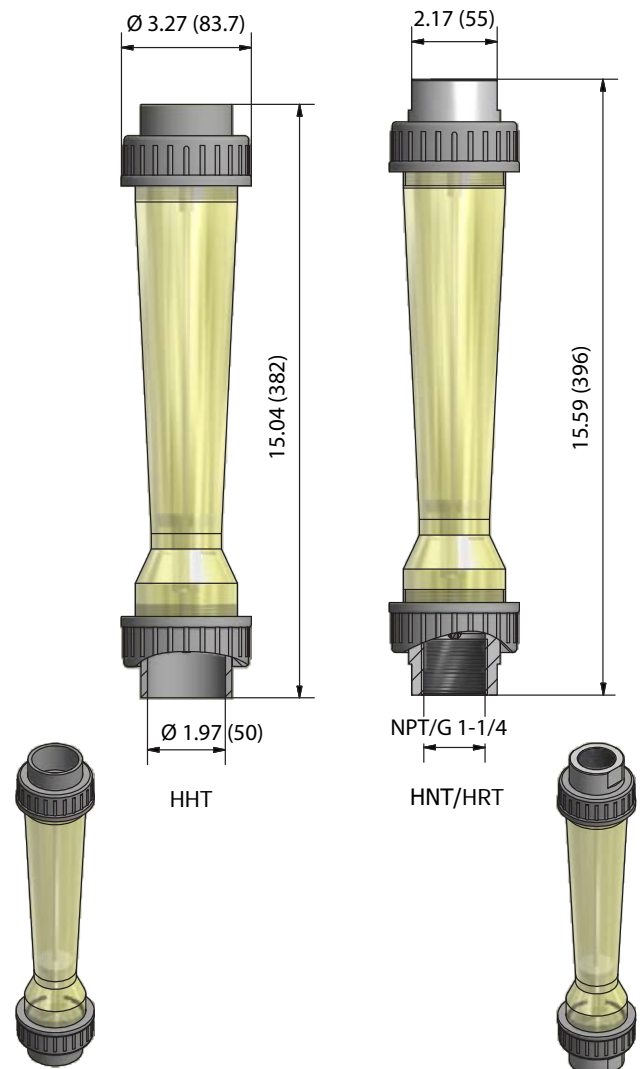
### Scale

H <sub>2</sub> O L/min (20°C)	<b>A</b>
H <sub>2</sub> O m <sup>3</sup> /h (20°C)	<b>C</b>
H <sub>2</sub> O USGPM (70°F)	<b>G</b>
Air NL/min (20°C, 1.013 bar abs)	<b>R</b>
Air SCFH (70°F, 14.7 psia)	<b>V</b>
Air SCFM	<b>T</b>

### Features

Grilamid flow tube, nitrile seals	<i>blank</i>
PES flow tube, nitrile seals	<b>V</b>
PES flow tube, Viton® seals	<b>W</b>
Grilamid flow tube, Viton® seals	<b>X</b>
EPDM seals	<b>Y</b>

Standard feature: leave *blank*  
Special feature: choose character



**NOTE:** Measurements in the drawings in this datasheet are in inches (and millimeters) if not stated otherwise.

Copyright © Kytola Instruments Oy 2021. Dimensions and measurements are given within normal tolerances. Manufacturer reserves the right to changes without prior notification. File HT\_es17NA\_en Published 4/2023.