

KYTOLA® Model 2914 Constant Flow Regulator is a sturdy, industrial constant flow regulator. It is designed to provide constant flow of medium volume liquid flows in applications where supply or back pressure varies.



Model 2914 equipped with model VL flow meter

- For liquid
- High performance, reliable operation
- Easy maintenance
- Optional Model VL flow meter for flow rate setting and monitoring

ISO 9001 ISO 14001

## CONSTANT FLOW REGULATOR 2914

The regulator is a membrane type differential pressure controller with a built-in needle valve for flow adjustment. It is usually supplied with Model VL variable area flow meter.

### FEATURES

Two-piece stainless steel construction  
Competitively priced

### TYPICAL APPLICATIONS

Control of seal waters  
Control of flush waters  
Batching of liquids  
Water purging

### OPTIONS

High  $\Delta p$  model  
Thread adapters

## Model 2914

Max. flow	5.3 USGPM (20 L/min) H <sub>2</sub> O
Nominal flow	3.7 USGPM (14 L/min) H <sub>2</sub> O
Max. pressure difference	174 psi (12 bar), *290 psi (20 bar)
Max. static pressure	363 psi (25 bar)
Min. pressure difference	44 psi (3 bar)
Max. temperature	194°F (90°C), momentary 248°F (120°C)
Body	AISI 316
Valve	AISI 316
Spring	AISI 316
Membrane	EPDM
Seals	Nitrile
Connections	G 1/2" or NPT 1/2"
Installation position	Any required
Weight	4 lbs (1.8 kg)



\*Special construction on request

### 2914 ■ ■ ■ / ■

#### Pressure Difference

Max 174 psi (12 bar)

*blank*

Max 290 psi (20 bar)

**D**

#### Valve Size

2 mm valve for flow rates 0.5 USGPM (2 L/min) or below

**2**

3 mm valve for flow rates 1.3 USGPM (5 L/min) or below

**3**

6 mm valve for flow rates 2.6 USGPM (10 L/min) or below

**6**

9 mm valve for flow rates above 2.6 USGPM (10 L/min)

**9**

#### Connections

G 1/2"

*blank*

NPT 1/2"

**N**

#### Options

Without adapter

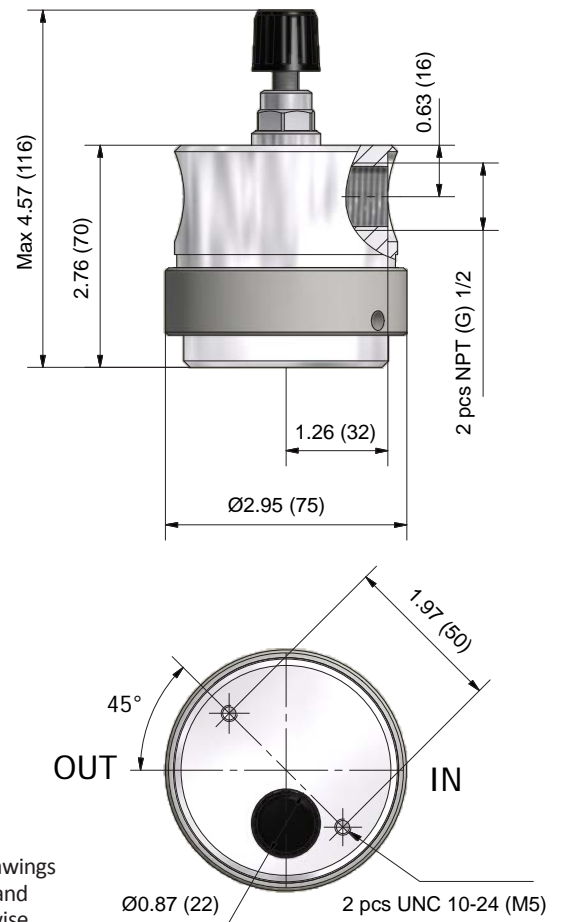
*blank*

With adapter for connecting to model VL flow meter

**VL**

Standard feature: leave *blank*  
Special feature: choose Character

**NOTE:** Model 2914D has a small bypass flow through the regulator when the flow adjustment valve is shut to prevent damages of the membrane.



**NOTE:** Measurements in the drawings in this datasheet are in inches (and millimeters) if not stated otherwise.